



Designer Mills Davis and his grandson, Carsten

Think Inside the Box

BACK TO SCHOOL

Homeschool Locker
Beginner Project:
CD Holder Box



Tools and Supplies Needed

- Clear tape (with less adhesive)
- 2" packing tape
- Tape Measure
- T square
- Utility knife
- Pen to mark on cardboard
- Recycled Abeka packing box



Mills Davis is helping to homeschool Carsten. This is a project they enjoyed making together.

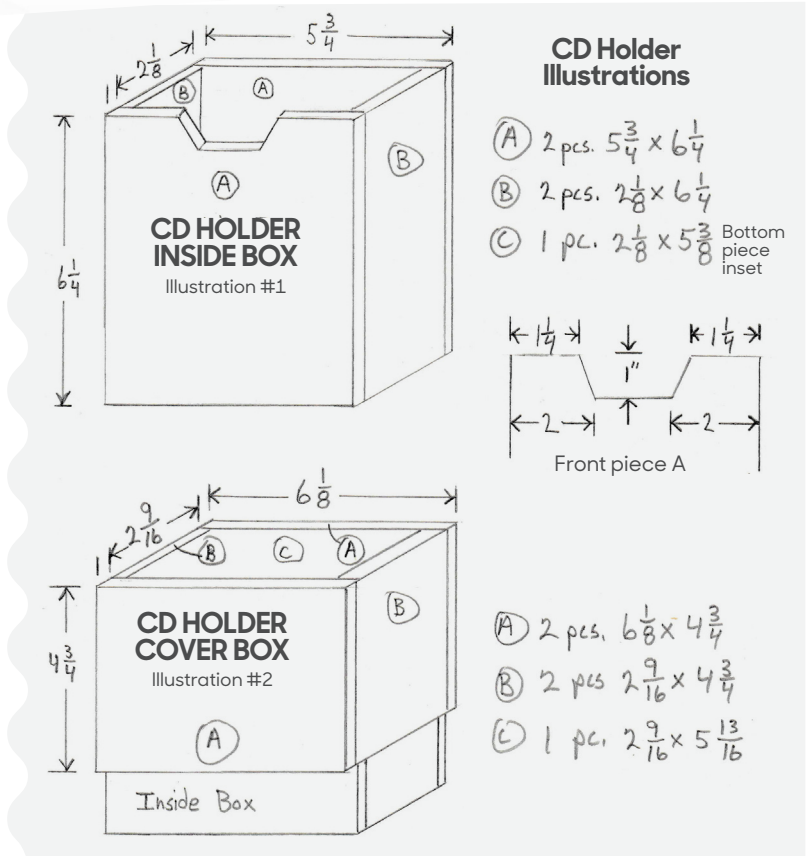
Tips

1. Measure twice; cut once
2. Expect to make 3 or more cuts on each piece. The first cut should be a light stroke.
3. Clear tape as many pieces together as possible before using the more adhesive packing tape.

Assembly

Beginner Project (CD Holder)

1. Cut out and tape together sides (A), (B), and bottom (C). For ease add bottom (C) last for inside box. See Illustration #1.
2. Cut out and tape together sides (A), (B), and bottom (C) for CD Box Cover. See Illustration #2.



Think Inside the Box

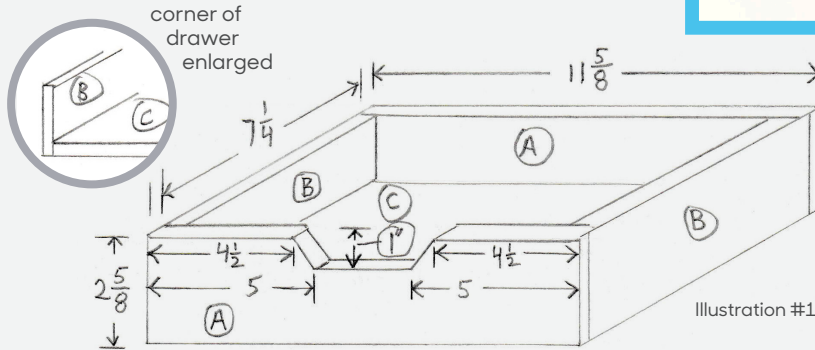
BACK TO SCHOOL

Homeschool Locker Intermediate Project:

Core Drawers



Core Drawers Illustrations



FOR BOTH BOXES

Both Boxes (A) 4 pcs. $2\frac{5}{8} \times 11\frac{5}{8}$

Top Box (B) 2 pcs. $2\frac{5}{8} \times 7\frac{1}{4}$

Top Box (C) 1 pc. $7\frac{1}{4} \times 11\frac{1}{4}$

Bottom Box (B) 2 pcs. $2\frac{5}{8} \times 10\frac{1}{4}$ (larger bottom drawer)

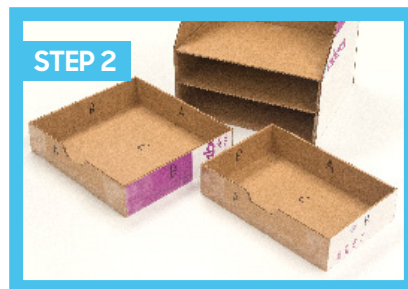
Bottom Box (C) 1 pc. $10\frac{1}{4} \times 11\frac{1}{4}$

Note: Bottom pc (C) is inset on all 4 sides

Assembly

Intermediate Project (Core Drawers)

1. Cut out and tape together pieces (A), (B), (C) to form the Top Core Drawer. See Core Drawer: Illustration #1.
2. Cut out and tape together pieces (A), (B), (C) to form the Bottom Core Drawer.



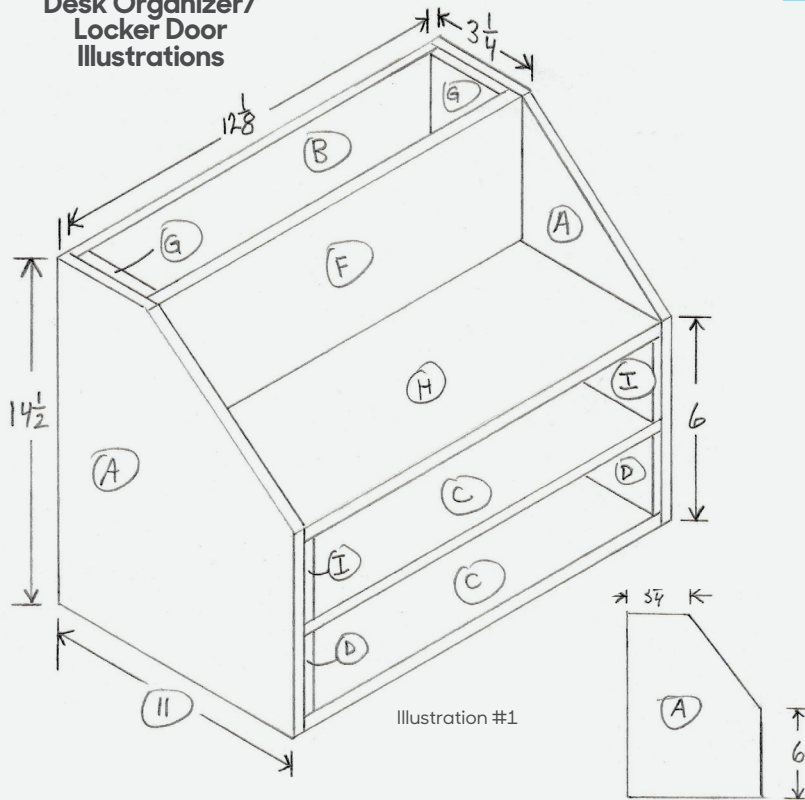
Think Inside the Box

BACK TO SCHOOL

Homeschool Locker Advanced Project:
Desk Organizer/Locker Door



Desk Organizer/
Locker Door
Illustrations



- (A) 2 pcs $11 \times 14\frac{1}{2}$ with $\frac{3}{4}$ cut at the top
- (B) 1 pc $12\frac{1}{8} \times 14\frac{1}{2}$
- (C) 2 pcs $10\frac{13}{16} \times 12\frac{1}{8}$
- (D) 2 pcs $2\frac{3}{4} \times 10\frac{13}{16}$
- (E) 2 pcs $2\frac{3}{4} \times 11\frac{13}{16}$ Back pcs. not shown above
- (F) 1 pc $12\frac{1}{8} \times 11\frac{7}{16}$
- (G) 2 pcs $2\frac{7}{8} \times 11\frac{7}{16}$
- (H) 1 pc $7\frac{13}{16} \times 12\frac{1}{8}$
- (I) 2 pcs $2\frac{3}{4} \times 7\frac{13}{16}$

abeka At Home

P.O. Box 17600 • Pensacola, FL 32522-7750

Assembly

Advanced Project
(Desk Organizer/Locker
Door)

1. Cut out and tape together (A) sides, (B) back, and (C) bottom.
2. Assemble (B) pieces to side (A), then piece (C) as shown in Desk Organizer: illustration #1. (B) and (C) are inset.



3. Cut out and assemble pieces (C), (D), (E) Tape the front and back corners as shown below for step 3A. Place in the box as shown and tape front pieces (D) to sides (A) with approximately 5 inches of packing tape. (See step 3 B.)

4. Cut out and assemble pieces (F) and (G). Place in the box as shown in Desk Organizer: Step 4. Tape the top piece (G) to side (A) with approximately 5" of packing tape.

5. Cut out and tape together (H), (I), and (E). Follow the taping instructions in Step 3 and assembly directions in Steps 5A and 5B.

6. For Locker Door, cut out one piece of cardboard at $12\frac{3}{8} \times 14\frac{1}{2}$. Attach with packing/decorative tape the length of the door. See Step 6.

7. Insert for file folder (see Step 7 below). Place this inside bottom (G), (B), (G) hole.

